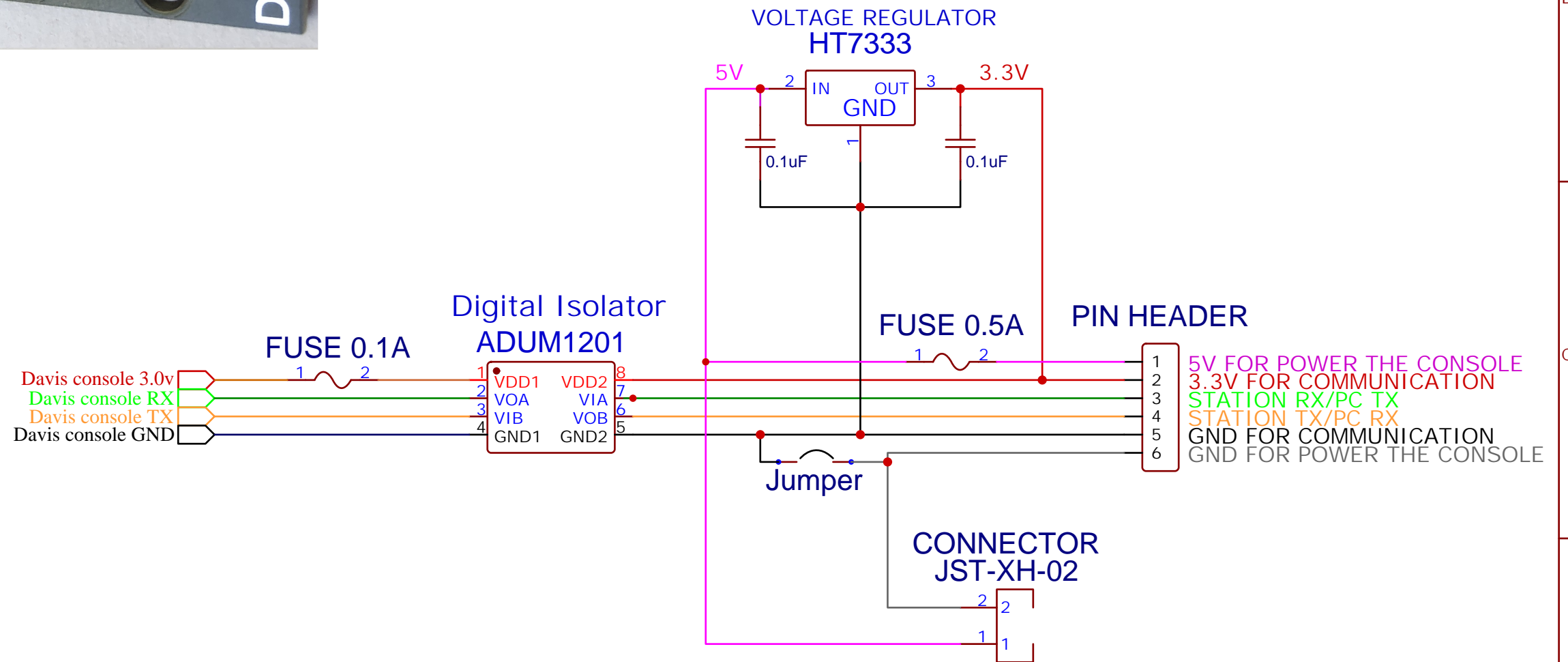


Digital isolator ADUM ->

Power regulator 3.3V->

<- Jumper  
Power GND to GND



TITLE: <b>DIY Logger</b>		REV: <b>1.0</b>
Company: <b>WiFiLogger</b>		Sheet: <b>1/1</b>
Date: <b>2022-04-13</b>	Drawn By: <b>WiFiLogger</b>	